

TASCAM CD-01U/CD-01UPRO

CONTROL I/O Terminals
RS-232C Protocol Specifications

Ver. 1.02
July 2005

TEAC

1. Overview

The CD-01U/CD-01U PRO (here referred to as “controlled device”) functions can be controlled using a serial RS-232C connection from an external device, such as a computer. Such a device is referred to here as the “external controller”.

2. Specifications

2.1. Electrical Specifications

Conforms to standard	JIS X-5101 (equivalent to former JIS-C-6361 and EIA RS-232C standards) Note that this is not compatible with the RS-422 used in professional VTR units.
Impedance at receiver	When measured with an applied voltage of between +/-3 V and +/-15 V, the DC resistance is between 3 kohm and 7 kohm . Total load capacitance of < 2500 pF
Open circuit voltage at transmitter	< 25V
Open circuit voltage at receiver	< 2V
Signal voltage	When the open circuit voltage at the receiver is 0 V, the signal voltage is between +/-5 V and +/-15 V against a load impedance of between 3 kohm and 7 kohm .
Signal discrimination	Logical “1” = < -3V Logical “0” = > +3V

2.2. Communication format

Circuit type	3-wire, Half-duplex
Transmission type	Digital binary serial
Data speed (baud rate)	9600/19200/38400 bit/sec
Word length	8-bit
Parity bit	None
Stop bit	1 bit
(* Word length, parity bit, and stop bit of CD-01U are fixed.)	

2.3. Connector pin-out

Connector D-sub 9pin female (Inch screw thread)

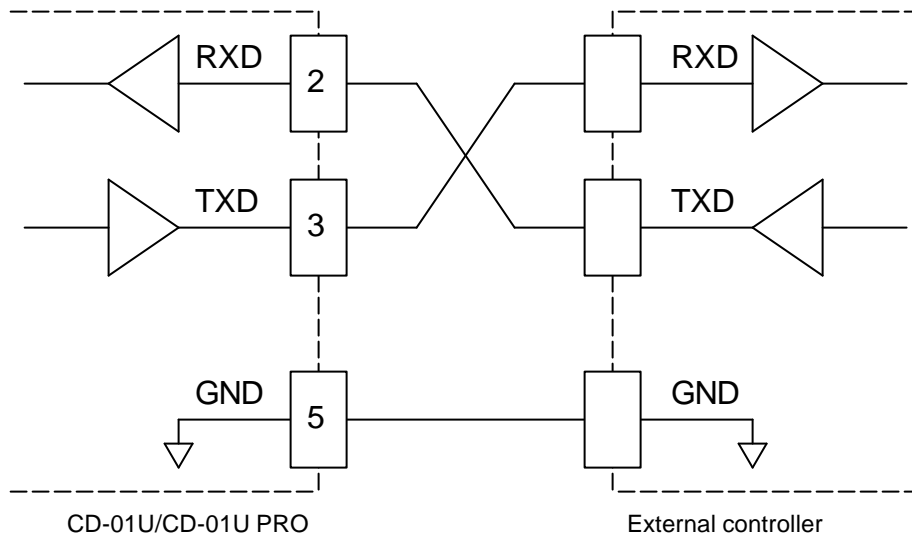


Terminal pin-out and input/output signals

Pin No.	In/Out	Signal name	Description
1	-	NC	Not connected
2	In	Rx Data	Data received at this pin *1
3	Out	Tx Data	Data transmitted from this pin
4	-	(Reserved)	Reserved
5	-	GND	Signal ground pin
6	-	(Reserved)	Reserved
7	-	(Reserved)	Reserved
8	-	(Reserved)	Reserved
9	-	NC	Not connected

*1: Impress voltage complied with RS-232C standard to Rx Data.

*2: CD-01U doesn't have RTS/CTS terminals for loop-back in this connector. Make sure the specifications of external controller and if necessary, please have the loop-back circuit outside of the CD-01U.



3. Command Format

3.1. Command Format Overview

Byte 1	Byte 2	Byte 3	Byte 4	Byte 5	Byte 6	Byte 7	Byte 8	...	Byte n
LF	ID	Command		Data 1	Data 2	Data 3	Data 4	...	CR

The codes described here are transmitted in ASCII format (e.g. a command described as "23" is transmitted as ASCII '2' followed by ASCII '3').

Uppercase letters are used for letters 'A' through 'F'.

All commands must be prefixed by a line-feed (LF) character [0Ah] followed by a Machine ID.

All commands are terminated by a carriage return (CR) character [0Dh].

Sample commands

Sample 1: PLAY command (Machine ID=0)

When the controlled device is in STOP/READY mode, this command starts playback.

The PLAY command is [12], and it is transmitted using the following sequence:

		ID	Command		
ASCII	LF	0	1	2	CR
HEX	0Ah	30h	31h	32h	0Dh

Sample 2: Direct search for track 12 (Machine ID=0)

In order to perform this operation, "DIRECT TRACK SEARCH PRESET [23]" command is used.

The track number is also sent as a parameter (data). This is sent in four bytes, as shown below:

		ID	Command		Data: 12th track				
ASCII	LF	0	2	3	1	2	0	0	CR
HEX	0Ah	30h	31h	32h	31h	32h	30h	30h	0Dh

The four data bytes represent, in order, the following digits of the track number: the "tens" digit (1), the "units" digit (2), the "thousands" digit (0), and the "hundreds" digit (0).

3.2. Machine ID

Machine ID of this device is fixed to [0]. A command with other Machine ID than [0] is ignored.

3.3. List of Commands

Control/Preset/Sense Command		Return Command	
		88	TIME DATA
0F	INFORMATION REQUEST	8F	INFORMATION RETURN
10	STOP		
12	PLAY		
14	READY		
15	JOG		
16	SHUTTLE		
18	EJECT		
1A	TRACK SKIP		
1D	CALL		
20	AUTO CUE LEVEL PRESET	A0	AUTO CUE LEVEL RETURN
23	DIRECT TRACK SEARCH PRESET		
25	PITCH CONTROL DATA PRESET	A5	PITCH CONTROL DATA RETURN
2C	TIME SEARCH PRESET		
2E	FADE IN/OUT TIME PRESET	AE	FADE IN/OUT TIME RETURN
30	AUTO CUE SELECT	B0	AUTO CUE SELECT RETURN
32	EOM TRACK TIME PRESET	B2	EOM TRACK TIME RETURN
34	TIMER RESUME PLAY SELECT	B4	TIMER RESUME PLAY SELECT RETURN
35	PITCH CONTROL SELECT	B5	PITCH CONTROL SELECT RETURN
36	AUTO READY SELECT	B6	AUTO READY SELECT RETURN
37	REPEAT SELECT	B7	REPEAT SELECT RETURN
3A	INCR PLAY SELECT	BA	INCR PLAY SELECT RETURN
3E	FADE IN/OUT SELECT	BE	FADE IN/OUT SELECT RETURN
3F	TIME DATA SEND SELECT	BF	TIME DATA SEND SELECT RETURN
4D	PLAY MODE SELECT		
4E	PLAY MODE SENSE	CE	PLAY MODE RETURN
50	MECHA STATUS SENSE	D0	MECHA STATUS RETURN
53	ISRC SENSE	D3	ISRC RETURN
55	TRACK No. SENSE	D5	TRACK No. RETURN
56	DISC STATUS SENSE	D6	DISC STATUS RETURN
57	CURRENT TRACK INFORMATION SENSE	D7	CURRENT TRACK INFORMATION RETURN
58	CURRENT TRACK TIME SENSE	D8	CURRENT TRACK TIME RETURN
5D	TOTAL TRACK No./TOTAL TIME SENSE	DD	TOTAL TRACK No./TOTAL TIME RETURN
5E	PGM TOTAL TRACK No./TOTAL TIME SENSE	DE	PGM TOTAL TRACK No./TOTAL TIME RETURN
		F0	ERROR SENSE REQUEST
		F2	ILLEGAL STATUS
		F4	POWER ON STATUS
		F6	CHANGE STATUS
78	ERROR SENSE	F8	ERROR SENSE RETURN

Version up history

Ver. 1.00: Released version.

Ver. 1.02: Following commands to be added.

PITCH CONTROL DATA PRESET [25]
FADE IN/OUT TIME PRESET [2E]
EOM TRACK TIME PRESET [32]
TIMER RESUME PLAY SELECT [34]
FADE IN/OUT SELECT [3E]
TIME DATA SEND SELECT [3F]
PLAY MODE SENSE [4E]
ISRC SENSE [53]
CURRENT TRACK TIME SENSE [58]
TOTAL TRACK No. / TOTAL TIME SENSE [5D]
PITCH CONTROL DATA RETURN [A5]
FADE IN/OUT TIME RETURN [AE]
EOM TRACK TIME RETURN [B2]
TIMER RESUME PLAY SELECT RETURN [B4]
FADE IN/OUT SELECT RETURN [BE]
TIME DATA SEND SELECT RETURN [BF]
PLAY MODE RETURN [CE]
ISRC RETURN [D3]
CURRENT TRACK TIME RETURN [D8]
TOTAL TRACK No. / TOTAL TIME RETURN [DD]

3.4. Command Sequence

The CD-01U/CD-01U PRO does not have the “ACK” command for the each transport control command and data preset command.

When a request command is transmitted from external controller to the controlled device, the controlled device sends an appropriate return command.

When the mechanism status of the controlled device is changed (i.e. from stop to play), or an error occurs, the controlled device sends a command to notify such change to the external controller.

Some samples of command sequence are described below:

Note that an interval of at least 20 ms must be left between commands.

Sample 1: Transport control (i.e. PLAY)

The controlled device is in STOP mode.

Send the transport control (PLAY) command from the external controller to the controlled device.

The controlled device starts playback and sends the CHANGE STATUS return command.

Command		Status of the controlled device
External controller	Controlled device	
		STOP
PLAY	->	Starts playback
	<-	CHANGED STATUS Sent the CHANGE STATUS return command

Sample 2: To preset a data (i.e. PITCH CONTROL DATA PRESET)

Send the PITCH CONTROL DATA PRESET command with pitch control value from the external controller to the controlled device.

The controlled device sets the pitch control data.

Command		Status of the controlled device
External controller	Controlled device	
PITCH CONTROL DATA PRESET (i.e. -1.0%)	->	Sets pitch control data to -1.0%.

Sample 3: To request the status or a data currently set (i.e. PITCH CONTROL DATA)

Send the PITCH CONTROL DATA PRESET command with request data [FF] from the external controller to the controlled device.

If the controlled device has the pitch control data, the controlled device returns the PITCH CONTROL DATA RETURN with pitch control value.

Command		Status of the controlled device
External controller	Controlled device	
PITCH CONTROL DATA PRESET (with FF)	->	
	<-	PITCH CONTROL DATA RETURN

4. Command Detail

Commands, data, and machine IDs which are described here are represented in characters (ASCII). A command is a 2-byte character, a Machine ID is a 1-byte character, and each data is a 1-byte character.

4-1. INFORMATION REQUEST

Requests the internal software version number of the controlled device.

Command 0F
 Data None
 Return INFORMATION RETURN [8F]

4-2. STOP

Puts the controlled device into STOP mode.

Command 10
 Data None
 Return None

4-3. PLAY

Puts the controlled device into PLAY mode.

Command 12
 Data None
 Return None

4-4. READY

Puts the controlled device into READY mode.

Command 14
 Data 2 bytes
 Return None

Data 1	Data 2	Description	Remarks
0	0	Ready Off	
0	1	Ready On	

- If the specified data is other than described above, the controlled device sends ILLEGAL [F2].

4-5. JOG

Turns the JOG mode on and off, and performs frame accurate search.

Command 15
 Data 2 bytes
 Return None

Data 1	Data 2	Description	Remarks
0	0	Jog Off	Turns the Jog mode off
0	1	Jog On	Turns the Jog mode on
1	0	Jog Forward	Frame accurate search in forward direction
1	1	Jog Reverse	Frame accurate search in backward direction

- If the specified data is other than described above, the controlled device sends ILLEGAL [F2].

4-6. SHUTTLE

Performs the search function in SHUTTLE mode.

SHUTTLE mode is maintained until the other command such as STOP, PLAY, or READY is received.

Command 16
 Data 2 bytes
 Return None

Data 1	Data 2	Description	Remarks
0	0	Shuttle Forward	Searches in shuttle mode in forward direction
0	1	Shuttle Reverse	Searches in shuttle mode in backward direction

- If the specified data is other than described above, the controlled device sends ILLEGAL [F2].

4-7. EJECT

Ejects or load a disc.

Command 18
 Data None
 Return None

4-8. TRACK SKIP

Allows track selection to the previous or next start-of-track position.

The transport mode when this command is received (playing or pausing) is maintained after skipping.

Command 1A
 Data 2 bytes
 Return None

Data 1	Data 2	Description	Remarks
0	0	Track Skip Next	Skips to the next track.
0	1	Track Skip Previous	If the playback position is beginning of a track (within 1 sec.), skips to the start point of the previous track. If not, skips to the start point of the current track.
1	0	Index Skip Next	Skips to the next Index.
1	1	Index Skip Previous	Skips to the previous index.

- If the specified data is other than described above, the controlled device sends ILLEGAL [F2].

4-9. CALL

Locates to the Call Point and puts the controlled device into Ready mode.

Command 1D
 Data None
 Return None

4-10. AUTO CUE LEVEL PRESET

Sets the Auto Cue level of the controlled device.

When this command is transmitted with request data ([FF]), the controlled device returns the AUTO CUE LEVEL RETURN command [A0].

The Auto Cue function is turned on and off using the AUTO CUE SELECT command [30].

Command 20
 Data 2 bytes
 Return AUTO CUE LEVEL RETURN [A0]

Data 1	Data 2	Description	Remarks
0	0	-24dB	Sets the Auto Cue detect level to -24dB.
0	1	-30dB	Sets the Auto Cue detect level to -30dB.
0	2	-36dB	Sets the Auto Cue detect level to -36dB.
0	3	-42dB	Sets the Auto Cue detect level to -42dB.
0	4	-48dB	Sets the Auto Cue detect level to -48dB.
0	5	-54dB	Sets the Auto Cue detect level to -54dB.
0	6	-60dB	Sets the Auto Cue detect level to -60dB.
0	7	-66dB	Sets the Auto Cue detect level to -66dB.
0	8	-72dB	Sets the Auto Cue detect level to -72dB.
F	F	Auto Cue level request	Requests the currently set the Auto Cue detect level.

· If the specified data is other than described above, the controlled device sends ILLEGAL [F2].

4-11. DIRECT TRACK SEARCH PRESET

Sets a track number. If the controlled device is in stop or play mode, the specified track is played back.

If the controlled device is in ready mode, the unit will enter ready mode at the start of the specified track.

This command is judged to be illegal if an attempt is made to jump to a non-existent track (e.g. track 11 on a 10-track disc).

Command 23
 Data 4 bytes
 Return None

	Description	Remarks
Data 1	Tens digit of track number	Track number Sample) 2300: Track 23
Data 2	Units digit of track number	
Data 3	Thousands digit of track number	
Data 4	Hundreds of track number	

· If the specified track number does not exist on the disc, the controlled device sends ILLEGAL [F2].

4-12. PITCH CONTROL DATA PRESET

Sets the Pitch Control value from –12.5% to +12.5% in 0.1% steps.

When this command is transmitted with request data ([FF]), the controlled device returns the PITCH CONTROL DATA RETURN command [A5].

The pitch control function is turned on and off using the PITCH CONTROL SELECT command [35].

Command 25
 Data 4 bytes or 2 bytes
 Return PITCH DATA RETURN [A5]

Data 1	Data 2	Data 3	Data 4	Description	Remarks
N2	N3	0 1	N1	Preset %	Positive (+) value Negative (-) value N1: Tens of pitch control value N2: Units of pitch control value N3: 1 st decimal of pitch control value [Sample] 2010: -2.0%
F	F	...		Pitch Control value request	Requests the currently set the Pitch Control value

- If the specified data is out of range, the controlled device sends ILLEGAL [F2].

4-13. TIME SEARCH PRESET

Locates to the specified track and time in minutes and seconds. If the controlled device is in stop or play mode, playback will start at the specified time. If the controlled device is in ready mode, the playback position will move to the specified time, and the controlled device will enter ready mode there. The time specified must be a valid time (e.g. the track must exist on the disc).

This command cannot use for MP3 discs.

Command 2C
 Data 12 bytes
 Return None

	Description	Remarks
Data 1	Tens digit of track number	[Sample] 020003001030: 2tr 03m 10s 30f
Data 2	Units digit of track number	
Data 3	Thousands digit of track number	
Data 4	Hundreds digit of track number	
Data 5	Tens digit of minutes	
Data 6	Units digit of minutes	
Data 7	Thousands digit of minutes	
Data 8	Hundreds digit of minutes	
Data 9	Tens digit of seconds	
Data 10	Units digit of seconds	
Data 11	Tens digit of frames	
Data 12	Units digit of frames	

- If the specified data (Track number and time) does not exist on the disc, the controlled device sends ILLEGAL [F2].

4-14. FADE IN/OUT TIME PRESET

Sets the fade in and out time from 1 to 10 seconds in 1 second steps.
 When this command is transmitted with request data ([00FF] or [01FF]), the controlled device returns the FADE IN/OUT TIME RETURN command [AE].
 The FADE mode is turned on and off using the FADE IN/OUT SELECT command [3E].

Command 2E
 Data 4 bytes
 Return FADE IN/OUT TIME RETURN [AE]

Data 1	Data 2	Data 3	Data 4	Remarks
0	0	Tens digit of Fade In time	Units digit of Fade In time	Sets the Fade In time
0	0	F	F	Requests the Fade In time
0	1	Tens digit of Fade Out time	Units digit of Fade Out time	Sets the fade Out time
0	1	F	F	Requests the Fade Out time

- If the specified data is other than described above, the controlled device sends ILLEGAL [F2].
- If the specified data is out of range, the controlled device sends ILLEGAL [F2].

4-15. AUTO CUE SELECT

Turns the Auto Cue function on and off.
 When this command is transmitted with request data ([FF]), the controlled device returns the AUTO CUE SELECT RETURN command [B0].
 The Auto Cue level is set using the AUTO CUE LEVEL PRESET command [20].

Command 30
 Data 2 bytes
 Return AUTO CUE SELECT RETURN [B0]

Data 1	Data 2	Description	Remarks
0	0	AUTO CUE MODE OFF	Turns the Auto Cue function off
0	1	AUTO CUE MODE ON	Turns the Auto Cue function on
F	F	Auto Cue mode status request	Requests the Auto Cue mode status

- If the specified data is other than described above, the controlled device sends ILLEGAL [F2].

4-16. EOM TRACK TIME SELECT

Sets the EOM (End of message) time.
 When this command is transmitted with request data ([FF]), the controlled device returns the EOM TRACK TIME RETURN command [B2].
 The EOM time should be set to 00, 05, 10, 15, 20, 25, 30, or 35.

Command 32
 Data 2 bytes
 Return EOM TRACK TIME RETURN [B2]

Data 1	Data 2	Description	Remarks
N1	N2	Sec	N1: Tens digit of EOM time N2: Units digit of EOM time (00, 05, 10, 15, 20, 25, 30, or 35)
F	F	EOM time request	Requests the EOM time

- If the specified data is other than described above, the controlled device sends ILLEGAL [F2].

4-17. TIMER/RESUME PLAY SELECT

Turns the Power-on-play mode and Resume Play mode on and off.

When this command is transmitted with request data ((FF)), the controlled device sends the RESUME PLAY SELECT RETURN command [B4].

Command 34
 Data 2 bytes
 Return RESUME PLAY SELECT RETURN [B4]

Data 1	Data 2	Description	Remarks
0	0	Power-on-play OFF / RESUME OFF	
0	1	Power-on-play ON / RESUME OFF	
0	2	Power-on-play OFF / RESUME ON	
0	3	Power-on-play ON / RESUME ON	
F	F	Power-on-play/Resume status request	Requests the status of Power-on-play / Resume mode

· If the specified data is other than described above, the controlled device sends ILLEGAL [F2].

4-18. PITCH CONTROL SELECT

Turns the Pitch Control mode on and off.

When this command is transmitted with request data [FF], the controlled device returns the PITCH CONTROL SELECT RETURN command [B5].

The Pitch Control value is set using the PITCH CONTROL DATA PRESET command [25].

Command 35
 Data 2 bytes
 Return PITCH CONTROL SELECT RETURN [B5]

Data 1	Data 2	Description	Remarks
0	0	Pitch Control Off	Turns the Pitch Control mode off
0	1	Pitch Control On	Turns the Pitch Control mode on
F	F	Pitch Control mode status request	Requests the Pitch Control mode status

· If the specified data is other than described above, the controlled device sends ILLEGAL [F2].

4-19. AUTO READY SELECT

Turns the Auto Ready mode on and off.

When this command is transmitted with request data [FF], the controlled device returns the AUTO READY SELECT RETURN command [B6].

Command 36
 Data 2 bytes
 Return AUTO READY SELECT RETURN [B6]

Data 1	Data 2	Description	Remarks
0	0	Auto Ready Off	Turns the Auto Ready function off
0	1	Auto Ready On	Turns the Auto Ready function on
F	F	Auto Ready mode status request	Requests the Auto Ready mode status

· If the specified data is other than described above, the controlled device sends ILLEGAL [F2].

4-20. REPEAT SELECT

Sets the Repeat mode.

When this command is transmitted with request data [FF], the controlled device returns the REPEAT SELECT RETURN command [B7].

Command 37
 Data 2 bytes
 Return REPEAT SELECT RETURN [B7]

Data 1	Data 2	Description	Remarks
0	0	Repeat Off	Turns the repeat mode off
0	1	Repeat On	Turns the repeat mode on
F	F	Repeat mode status request	Requests the repeat mode status

· If the specified data is other than described above, the controlled device sends ILLEGAL [F2].

4-21. INCR PLAY SELECT

Turns the Incremental Play mode on and off.

When this command is transmitted with request data [FF], the controlled device returns the INCR PLAY SELECT RETURN command [BA].

Command 3A
 Data 2 bytes
 Return INCR PLAY SELECT RETURN [BA]

Data 1	Data 2	Description	Remarks
0	0	Incremental Play Off	Turns the Incremental Play function off
0	1	Incremental Play On	Turns the Incremental Play function on
F	F	Incremental Play function status request	Requests the Incremental Play function status

· If the specified data is other than described above, the controlled device sends ILLEGAL [F2].

4-22. FADE IN/OUT SELECT

Sets the Fade in/out mode.

When this command is transmitted with request data [FF], the controlled device returns the FADE IN/OUT SELECT RETURN command [BE].

Fade In and Out time are set using the FADE IN/OUT TIME PRESET command [2E].

Command 3E
 Data 2 bytes
 Return FADE IN/OUT SELECT RETURN [BE]

Data 1	Data 2	Description	Remarks
0	0	Fade In Off / Fade Out Off	
0	1	Fade In On / Fade Out Off	
1	0	Fade In Off / Fade Out ON	
1	1	Fade In On / Fade Out On	
F	F	Fade In/Out status request	Requests the Fade In/Out mode status

· If the specified data is other than described above, the controlled device sends ILLEGAL [F2].

4-23. TIME DATA SEND SELECT

Sets the Time mode of the time data that is sent out from the controlled device automatically (without any request command).

When this command is transmitted with request data [FF], the controlled device returns the TIME DATA SEND SELECT RETURN command [BF].

When specified data includes "Without Frame" information, frame information will not shown on the display of the controlled device.

Command 3F
 Data 2 bytes
 Return TIME DATA SEND SELECT RETURN [BF]

Data 1	Data 2	Description	Remarks
0	0	Off	Time data (TIME DATA [88]) will not be sent out from the controlled device automatically
0	1	Elapsed Time	With frame data
0	2	Remain Time	With frame data
0	4	Total Remain Time	With frame data
1	1	Elapsed Time	Without frame data
1	2	Remain Time	Without frame data
1	4	Total Remain Time	Without frame data
F	F	Time Data Send status request	Requests the Output Time Data status

- If the specified data is other than described above, the controlled device sends ILLEGAL [F2].

4-24. PLAY MODE SELECT

Sets the Play mode.

The status of the PLAY mode can be requested using the PLAY MODE SENSE command [4E].

Command 4D
 Data 2 bytes
 Return None

Data 1	Data 2	Description	Remarks
0	0	Normal Play	Sets the Play Mode to normal (continuous) play mode
0	1	Single Play	Sets the Play Mode to single play mode
0	2	Program Play	Sets the Play Mode to program play mode
0	3	Random Play	Sets the Play Mode to random play mode

- If the specified data is other than described above, the controlled device sends ILLEGAL [F2].

4-25. PLAY MOSE SENSE

Requests the status of the Play mode.

The contents of the reply are described in the PLAY MODE RETURN command.

Command 4E
 Data None
 Return PLAY MODE RETURN [CE]

4-26. MECHA STATUS SENSE

Requests the status of the mechanism.

The contents of the reply are described in the MECHA STATUS RETURN command.

Command 50
 Data None
 Return MECHA STATSU RETURN [D0]

4-27. ISRC SENSE

Requests the output of the ISRC code of the current track (ready mode) or the catalog (stop mode).
This data can only be output when a playback-only disc is loaded.

Command 53
Data None
Return ISRC RETURN [D3]

4-28. TRACK No. SENSE

Requests the current track number.

Command 55
Data None
Return TRACK No. STATUS RETURN [D5]

4-29. DISC STATUS SENSE

Requests information on the presence or absence of a disc in the controlled device, and whether a disc is recordable or playback-only.

The contents of the reply are described in the DISC STATUS RETURN command.

Command 56
Data None
Return DISC STATUS RETURN [D6]

4-30. CURRENT TRACK INFORMATION SENSE

Requests the elapsed time form of the current track time (play or ready modes).

Command 57
Data None
Return CURRENT TRACK INFORMATION RETURN [D7]

4-31. CURRENT TRACK TIME SENSE

Requests the specific form of the current track time (play or ready modes).

Command 58
Machine ID 0
Data 2 bytes
Return CURRENT TRACK TIME RETURN [D8]

Data 1	Data 2	Description	Remarks
0	0	Elapsed Time	Requests the elapsed time form of the track time
0	1	Remain Time	Requests the remaining time form of the track time
0	3	Total Remain Time	Requests the Total remaining time form of the track time

· If the specified data is other than described above, the controlled device sends ILLEGAL [F2].

4-32. TOTAL TRACK No./TOTAL TIME SENSE

Requests the total number of the tracks and the running time on a disc.

In MP3 discs, requests the total number of tracks.

Command 5D
Data None
Return TOTAL TRACK No./TOTAL TIME RETURN [DD]

4-33. PGM TOTAL TRACK No./TOTAL TIME SENSE

Requests the total number of the programmed tracks and the running time of the programmed tracks.

Command 5E
Data None
Return PGM TOTAL TRACK No./TOTAL TIME RETURN [DE]

4-34. ERROR SENSE

Should be transmitted by the external controller on receipt of an ERROR SENSE REQUEST [F0] from the controlled device, to determine the exact error.

The contents of the reply are described in the ERROR SENSE RETURN command.

Command	78
Data	None
Return	ERROR SENSE RETURN [F8]

5. Return Command Detail

5-1. TIME DATA

When the Time mode is set to other than "OFF" with TIME DATA SEND SELECT command [3F], controlled device outputs the time data in specified form by TIME DATA SEND SELECT command [3F].

Command 88
Data 8 bytes

	Description	Remarks
Data 1	Tens digit of minutes	
Data 2	Units digit of minutes	
Data 3	Thousands digit of minutes	
Data 4	Hundreds digit of minutes	
Data 5	Tens digit of seconds	
Data 6	Units digit of seconds	
Data 7	Tens digit of frames	
Data 8	Units digit of frames	

5-2. INFORMATION RETURN

Transmitted in response to an INFORMATION REQUEST command [0F].

Returns the software version of the controlled device.

Command 8F
Data 4 bytes
Request command INFORMATION REQUEST [0F]

Data 1	Tens digit of software version	Sample data for Data 1 - Data 4 0100 Version 1.00
Data 2	Units digit of software version	
Data 3	1 st decimal digit of software version	
Data 4	Hundreds digit of software version	

5-3. AUTO CUE LEVEL RETURN

Transmitted in response to an AUTO CUE LEVEL PRESET command [20] with the request data ([FF]) to show the currently set Auto Cue level.

Command A0
Data 2 bytes
Request command AUTO CUE LEVEL PRESET [20]

Data 1	Data 2	Description	Remarks
0	0	-24dB	Auto Cue detect level is set to -24dB
0	1	-30dB	Auto Cue detect level is set to -30dB
0	2	-36dB	Auto Cue detect level is set to -36dB
0	3	-42dB	Auto Cue detect level is set to -42dB
0	4	-48dB	Auto Cue detect level is set to -48dB
0	5	-54dB	Auto Cue detect level is set to -54dB
0	6	-60dB	Auto Cue detect level is set to -60dB
0	7	-66dB	Auto Cue detect level is set to -66dB
0	8	-72dB	Auto Cue detect level is set to -72dB

5-4. PITCH CONTROL DATA RETURN

Transmitted in response to a PITCH CONTROL DATA PRESET command [25] with the request data ([FF]) to show the currently set Pitch Control value.

Command A5
 Data 4 bytes
 Request command PITCH CONTROL DATA PRESET [25]

Data 1	Data 2	Data 3	Data 4	Description	Remarks
N2	N3	0 1	N1	Preset %	Positive (+) value Negative (-) value N1: Tens digit of pitch control value N2: Units digit of pitch control value N3: 1 st decimal of pitch control value Sample) 2310: -2.3%

5-5. FADE IN/OUT TIME RETURN

Transmitted in response to a FADE IN/OUT TIME PRESET command [2E] with the request data ([00FF] or [01FF]) to show the currently set the Fade In and Out time.

Command AE
 Data 4 bytes
 Request command FADE IN/OUT TIME PRESET [2E]

Data 1	Data 2	Data 3	Data 4	Remarks
0	0	Tens digit of Fade In time	Units digit of Fade In time	Fade In time
0	1	Tens digit of Fade Out time	Units digit of Fade Out time	Fade Out time

5-6. AUTO CUE SELECT RETURN

Transmitted in response to an AUTO CUE SELECT command [30] with the request data ([FF]) to show the currently set the Auto Cue mode status .

Command B0
 Data 2 bytes
 Request command AUTO CUE SELECT [30]

Data 1	Data 2	Description	Remarks
0	0	Auto Cue Off	Auto Cue function is turned off
0	1	Auto Cue On	Auto Cue function is turned on

5-7. EOM TRACK TIME RETURN

Transmitted in response to an EOM TRACK TIME PRESET command [32] with the request data ([FF]) to show the currently set EOM time.

Command B2
 Data 2 bytes
 Request command EOM TRACK TIME PRESET [32]

Data 1	Data 2	Description	Remarks
N1	N2	Sec	N1: Tens digit of EOM time N2: Units digit of EOM time 00=Off

5-8. TIMER/RESUME PLAY SELECT RETURN

Transmitted in response to a TIMER/RESUME PLAY SELECT command [34] with the request data ([FF]) to show the currently set the Power-on-play/Resume function status .

Command B4
 Data 2 bytes
 Request command TIMER/RESUME PLAY SELECT [34]

Data 1	Data 2	Description	Remarks
0	0	Timer Off/Resume Off	
0	1	Timer On/Resume Off	
0	2	Timer Off/Resume On	
0	3	Timer On/Resume On	

5-9. PITCH CONTROL SELECT RETURN

Transmitted in response to a PITCH CONTROL SELECT command [35] with the request data ([FF]) to show the currently set the Pitch Control mode status .

Command B5
 Data 2 bytes
 Request command PITCH CONTROL SELECT [35]

Data 1	Data 2	Description	Remarks
0	0	Pitch Control Off	Pitch Control mode is turned off
0	1	Pitch Control On	Pitch Control mode is turned on

5-10. AUTO READY SELECT RETURN

Transmitted in response to an AUTO READY SELECT command [36] with the request data ([FF]) to show the currently set the Auto Ready mode status .

Command B6
 Data 2 bytes
 Request command AUTO READY SELECT [36]

Data 1	Data 2	Description	Remarks
0	0	Auto Ready Off	Auto Ready function is turned off
0	1	Auto Ready On	Auto Ready function is turned on

5-11. REPEAT SELECT RETURN

Transmitted in response to a REPEAT SELECT command [37] with the request data ([FF]) to show the currently set the repeat function status .

Command B7
 Data 2 bytes
 Request command REPEAT SELECT [37]

Data 1	Data 2	Description	Remarks
0	0	Repeat Off	Repeat mode is off
0	1	Repeat On	Repeat mode is on

5-12. INCR PLAY SELECT RETURN

Transmitted in response to an INCR PLAY SELECT command [3A] with the request data ([FF]) to show the currently set the Incremental Play function status .

Command BA
 Data 2 bytes
 Request command INCR PLAY SELECT [3A]

Data 1	Data 2	Description	Remarks
0	0	INCR Play Off	Incremental Play function is turned off
0	1	INCR Play On	Incremental Play function is turned on

5-13. FADE IN/OUT SELECT RETURN

Transmitted in response to a FADE IN/OUT SELECT command [3E] with the request data ([FF]) to show the currently set the Fade In/Out function status .

Command BE
 Data 2 bytes
 Request command FADE IN/OUT SELECT [3E]

Data 1	Data 2	Description	Remarks
0	0	Fade In Off / Fade Out Off	
0	1	Fade In On / Fade Out Off	
1	0	Fade In Off / Fade Out On	
1	1	Fade In On / Fade Out On	

5-14. TIME DATA SEND SELECT RETURN

Transmitted in response to a TIME DATA SEND SELECT command [3F] with the request data ([FF]) to show the currently set the output time data status .

Command BF
 Data 2 bytes
 Request command TIME DATA SEND SELECT [3F]

Data 1	Data 2	Description	Remarks
0	0	Off	
0	1	Elapsed Time with frames	
0	2	Remain Time with frames	
0	4	Total Remain Time with frames	
1	1	Elapsed Time without frames	
1	2	Remain Time without frames	
1	4	Total Remain Time without frames	

5-15. PLAY MODE RETURN

Transmitted in response to a PLAY MODE SENSE command [4E] with the request data ([FF]) to show the currently set the Play Mode status .

Command CE
 Data 2 bytes
 Request command PLAY MODE SENSE [4E]

Data 1	Data 2	Description	Remarks
0	0	Continue	
0	1	Single	
0	3	A-B Repeat	
0	4	Program (program is existing)	
0	5	Program (no programmed tracks)	
0	6	Random	

5-16. MECHA STATUS RETURN

Transmitted in response to a MECHA STATUS SENSE command [50] and gives the current mechanism status of the controlled device.

Command D0
 Data 2 bytes
 Request command MECHA STATUS SENSE [50]

Data 1	Data 2	Description	Remarks
0	0	No Disc	A disc is not loaded
0	1	Eject / load	Ejecting or Loading a disc
0	2	Eject	Ejecting a disc
1	0	Stop	Transport is in stop mode
1	1	Play	Transport is playing
1	2	Ready	Transport is pausing

5-17. ISRC RETURN

Transmitted in response to an ISRC SENSE command [53], giving the ISRC disc catalog number (stop mode) or current track code (play or ready modes).

ISRC codes are only available from playback-only discs. If an attempt is made to read an ISRC code from any other type of disc, the controlled device will return "0". The '0' will also be transmitted if an attempt is made to read an ISRC code from a playback-only disc which has no such codes recorded on it.

Command D3
 Data 25 bytes
 Request command ISRC SENSE [53]

	Description	Remarks
Data 1-12	ISRC code	
Data 13-25	Catalog No.	

5-18. TRACK No. RETURN

Transmitted in response to a TRACK No. SENSE command [55], giving the current track status.

Command D5
 Data 6 bytes
 Request command TRACK No. SENSE [55]

	Description	Remarks
Data 1	EOM Status	00: Does not show the EOM status
Data 2		01: Shows the EOM status
Data 3	Tens digit of the Track Number	
Data 4	Units digit of the Track Number	
Data 5	Thousands digit of the Track Number	
Data 6	Hundreds digit of the Track Number	

5-19. DISC STATUS RETURN

Transmitted in response to a DISC STATUS SENSE command [56], giving the status of the loaded disc.

Command D6
 Data 4 bytes
 Request command DISC STATUS SENSE [56]

Data 1	Disc Status	00: No Disc
Data 2		01: A disc has been loaded
Data 3	Disc Type	00: CD-DA
Data 4		02: CD-DA (RW) 10: CD-Data (ROM) 12: CD-Data (RW)

5-20. CURRENT TRACK INFORMATION RETURN

Transmitted in response to a CURRENT TRACK INFORMATION SENSE command [57], giving the elapsed time of the current track.

Command D7
 Data 12 bytes
 Request command CURRENT TRACK INFORMATION SENSE [57]

	Description	Remarks
Data 1	Tens digit of the track number or tens digit of the program number	When Play Mode is set to PGM mode, returns the program number with data1 and data2.
Data 2	Units digit of the track number or Units digit of the program number	
Data 3	Thousands digit of the track number	
Data 4	Hundreds digit of the track number	
Data 5	Tens digit of minutes	
Data 6	Units digit of minutes	
Data 7	Thousands digit of minutes	
Data 8	Hundreds digit of minutes	
Data 9	Tens digit of seconds	
Data 10	Units digit of seconds	
Data 11	Tens digit of frames	
Data 12	Units digit of flames	

5-21. CURRENT TRACK TIME RETURN

Transmitted in response to a CURRENT TRACK TIME SENSE command [58], giving the specified form of the time data of the current track.

Command D8
 Data 10 bytes
 Request command CURRENT TRACK TIME SENSE [58]

	Description	Remarks
Data 1	Time Mode	00: Elapsed time
Data 2		03: Total remain time 10: Track remain time
Data 3	Tens digit of minutes	
Data 4	Units digit of minutes	
Data 5	Thousands digit of minutes	
Data 6	Hundreds digit of minutes	
Data 7	Tens digit of seconds	
Data 8	Units digit of seconds	
Data 9	Tens digit of frames	
Data 10	Units digit of frames	

5-22. TOTAL TRACK No./TOTAL TIME RETURN

Transmitted in response to a TOTAL TRACK No./TOTAL TIME SENSE command [5D], giving the total number of the tracks and the running time on a disc.

Command DD
 Data 12 bytes
 Request command TOTAL TRACK No./TOTAL TIME SENSE [5D]

	Description	Remarks
Data 1	Tens digit of total number of tracks	
Data 2	Units digit of total number of tracks	
Data 3	Thousands digit of total number of tracks	
Data 4	Hundreds digit of total number of tracks	
Data 5	Tens digit of minutes	
Data 6	Units digit of minutes	
Data 7	Thousands digit of minutes	
Data 8	Hundreds digit of minutes	
Data 9	Tens digit of seconds	
Data 10	Units digit of seconds	
Data 11	Tens digit of frames	
Data 12	Units digit of frames	

5-23. PGM TOTAL TRACK No./TOTAL TIME RETURN

Transmitted in response to a PGM TOTAL TRACK No./TOTAL TIME SENSE command [5E], giving the total number of the programmed tracks and the running time of the programmed tracks.

Command DE
 Data 12 bytes
 Request command PGM TOTAL TRACK No./TOTAL TIME SENSE [5E]

	Description	Remarks
Data 1	Tens digit of total tracks	
Data 2	Units digit of total tracks	
Data 3	Thousands digit of total tracks	
Data 4	Hundreds digit of total tracks	
Data 5	Tens digit of minutes	
Data 6	Units digit of minutes	
Data 7	Thousands digit of minutes	
Data 8	Hundreds digit of minutes	
Data 9	Tens digit of seconds	
Data 10	Units digit of seconds	
Data 11	Tens digit of frames	
Data 12	Units digit of frames	

5-24. ERROR SENSE REQUEST

Transmitted from the controlled device to the external controller to indicate an error condition. On receipt of this message, the external controller should issue an ERROR SENSE request [78] in order to determine the error type.

Command F0
 Data None
 Request command None

5-25. ILLEGAL STATUS

Transmitted from the controlled device to the external controller in order to indicate illegal status, caused by an invalid command having been received. The external controller does not need to reply to this message (though it may, of course, attempt to re-send a corrected version of the message, etc.)

Command F2
 Data None
 Request command None

5-26. POWER ON STATUS

Transmitted from the controlled device to the external controller in order to signal power-up.

Command F4
 Data None
 Request command None

5-27. CHANGE STATUS

Transmitted from the controlled device to the external controller. There are two types of change which may be transmitted, each or which requires a reply by the external controller, as explained below.

Command F6
 Data 2 bytes
 Request command None

Data 1	Data 2	Description	Remarks
0	0	Mechanism Status Change	Mechanism status has been changed
0	3	Track Status Changes	Track number or EOM status has been changed

5-28. ERROR SENSE RETURN

Transmitted in response to an ERROR SENSE command [78], giving the specific error that has occurred.

Command F8
 Data 4 bytes
 Request command ERROR SENSE [78]

Data 1	N2	Error code(N1-N2N3)
Data 2	N3	1-01 TOC Read Error
Data 3	0	1-02 GFS Error
Data 4	N1	1-03 Focus servo Error
		1-04 Sub Q Reading Error
		1-05 Disk loading Error
		1-06 Sled Error
		1-10 SDRAM check Error
		1-13 System Error

***** Your unit must be version V1.02 for these commands to be supported.**
 (for update instructions please visit www.tascam.com)