

Blackline F8⁺

Ultra-compact, two-way passive system

features

- ▶ Ultra-compact two-way system
- ▶ User rotatable 90° x 50° horn
- ▶ Flexible mounting options
- ▶ Five year limited warranty

applications

- ▶ Club sound reinforcement
- ▶ Unobtrusive stage monitoring
- ▶ Fill-in system for main PA
- ▶ AV presentations



professional

The Blackline F8⁺ is a versatile, two-way passive system designed for applications where high output is required from an ultra-compact enclosure. It features a long-excursion, 8" (200mm) low frequency driver and a 1" (25mm) HF compression driver mounted on a constant directivity 90° x 50° horn. The horn is user rotatable to allow the F8⁺'s multi-angle enclosure to be used in either its vertical or horizontal orientation, depending on the application.

Special attention has been given to the high excursion requirement of the LF driver and a demodulating ring has been added to reduce intermodulation distortion and improve midrange clarity, ensuring the sound balance of the speaker remains consistent throughout a range of power inputs. The directivity of the LF driver has been matched to the HF horn through the crossover region by a combination of optimisation of the water-resistant LF cone profile and improved crossover design. Where extra low frequency output is required, sub-bass systems such as the Blackline S12⁺ or S15⁺ may be added.

The F8⁺ enclosure is provided with ten M8 inserts and four M6 bracket inserts for a variety of mounting arrangements. It is also provided with a top hat fitting for use with a speaker stand or as a pole socket for mounting above a Blackline⁺ subwoofer.

Use of a controller with the F8⁺ is optional. For demanding applications, an M3⁺ or DXI controller configured to perform EQ and limiter functions is recommended.

Century Point, Halifax Road, Cressex Business Park,
High Wycombe, Buckinghamshire HP12 3SL, England.
Telephone: +44 (0)1494 535312 Facsimile: +44 (0)1494 438669
E-mail: info@martin-audio.com
All information is Copyright © 2008 Martin Audio Ltd.

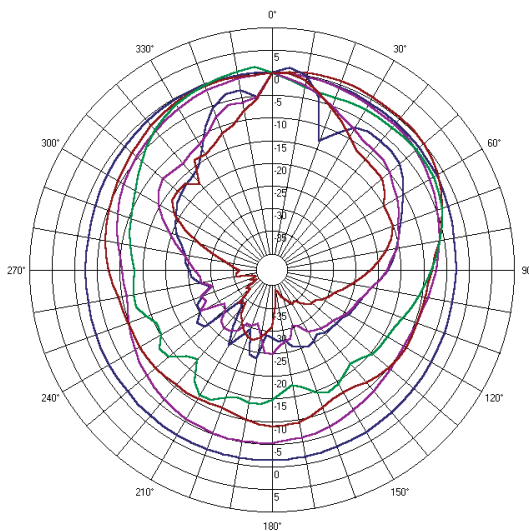


Blackline F8⁺

Ultra-compact, two-way passive system

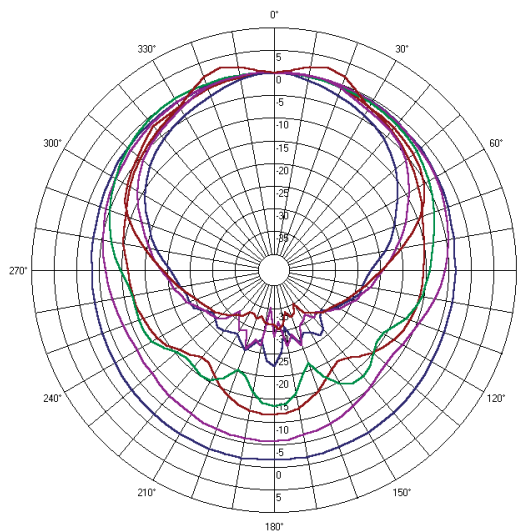
polar plots

professional



F8⁺ Vertical

- 200Hz & 1/3 8ve
- 400Hz & 1/3 8ve
- 800Hz & 1/3 8ve
- 1600Hz & 1/3 8ve
- 3200Hz & 1/3 8ve
- 6400Hz & 1/3 8ve
- 12800Hz & 1/3 8ve



F8⁺ Horizontal

- 200Hz & 1/3 8ve
- 400Hz & 1/3 8ve
- 800Hz & 1/3 8ve
- 1600Hz & 1/3 8ve
- 3200Hz & 1/3 8ve
- 6400Hz & 1/3 8ve
- 12800Hz & 1/3 8ve

Century Point, Halifax Road, Cressex Business Park,
High Wycombe, Buckinghamshire HP12 3SL, England.
Telephone: +44 (0)1494 535312 Facsimile: +44 (0)1494 438669
E-mail: info@martin-audio.com
All information is Copyright © 2008 Martin Audio Ltd.

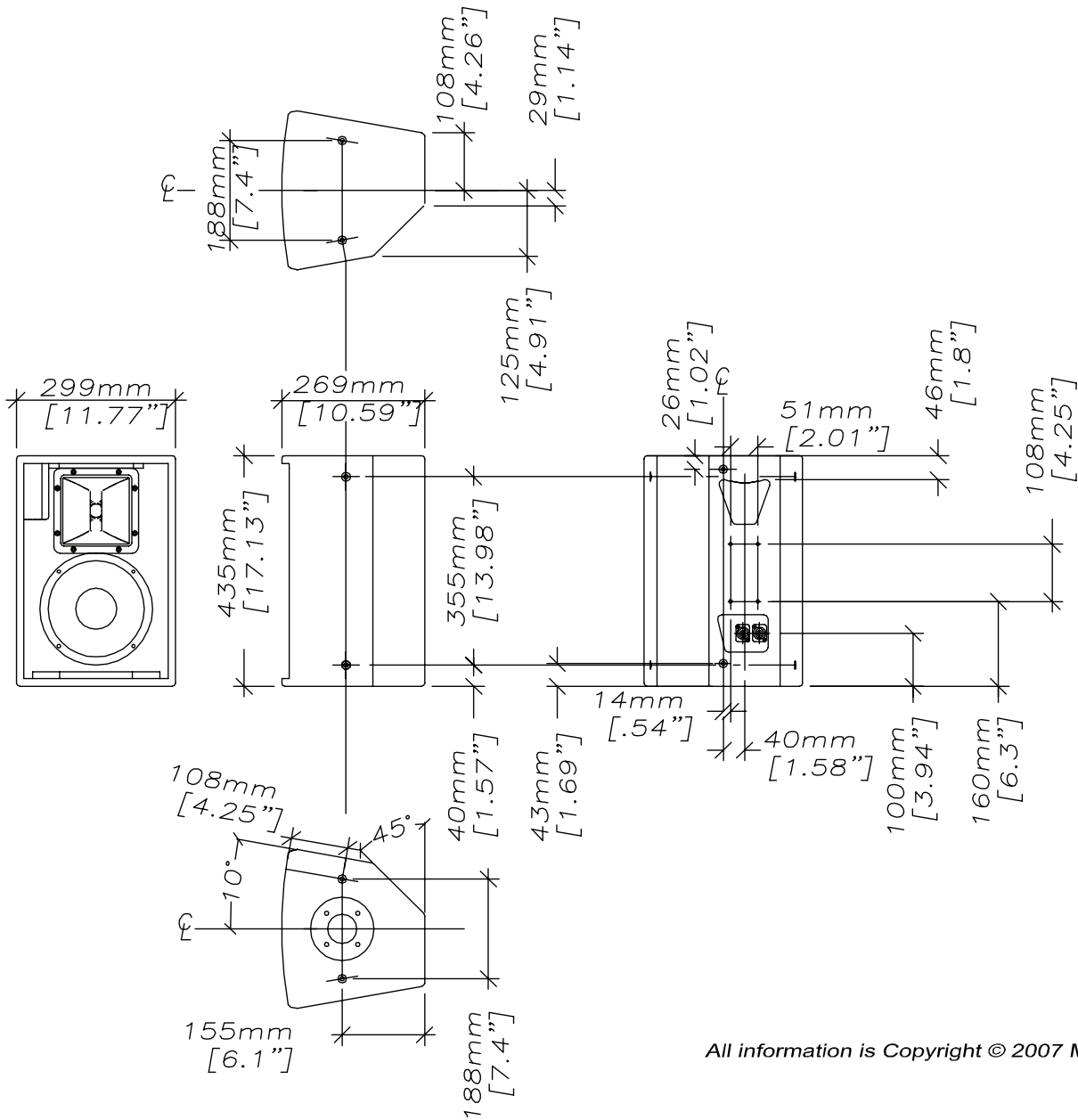


Blackline F8⁺

Ultra-compact, two-way passive system

overall dimensions

professional



F8⁺

All information is Copyright © 2007 Martin Audio Ltd.

Century Point, Halifax Road, Cressex Business Park,
High Wycombe, Buckinghamshire HP12 3SL, England.
Telephone: +44 (0)1494 535312 Facsimile: +44 (0)1494 438669
E-mail: info@martin-audio.com
All information is Copyright © 2008 Martin Audio Ltd.



Blackline F8⁺

Ultra-compact, two-way passive system

professional

technical specifications

TYPE	Ultra-compact, two-way passive
FREQUENCY RESPONSE (5)	70Hz-20kHz \pm 3dB -10dB @ 55Hz
DRIVERS	8" (200mm)/2" (50mm) voice coil LF driver 1" (25mm) exit HF compression driver
RATED POWER (2)	150W AES, 600W peak
RECOMMENDED AMPLIFIER	200W-600W into 4 ohms
SENSITIVITY (6)	93dB
MAXIMUM SPL (7)	113dB continuous, 119dB peak
NOMINAL IMPEDANCE	8 ohms
DISPERSION (-6dB)	90° horizontal, 50° vertical
CROSSOVER	2.5kHz passive
ENCLOSURE	17 litre, multi-laminate birch ply
FINISH	Textured black paint
PROTECTIVE GRILLE	Black perforated steel
CONNECTORS	2 x Neutrik NL4
PIN CONNECTIONS	FR+, - : 1+, 1-, Link thro': 2+, 2-
FITTINGS	10 x M8, 4 x M6 threaded inserts 1 x mounting pole socket 1 x pocket handle
DIMENSIONS	(W) 299mm x (H) 435mm x (D) 269mm (W) 11.8ins x (H) 17.1ins x (D) 10.6ins
WEIGHT	12kg (26lbs)

accessories

HTKF8Y	Flying Yoke for F8 ⁺
HTKM10	Wall Bracket for F8 ⁺
HTKCT04	Pole for Blackline ⁺
HTKCT05	8mm Shouldered Eye Bolt for F8 ⁺ , F10 ⁺ , F12 ⁺ , F15 ⁺

Notes

- (1) Measured on-axis in half space at 2 metres, then referred to 1 metre.
- (2) AES Standard ANSI S4.26-1984.
- (3) Measured in half space at 2 metres with 1 watt input, using band limited pink noise, then referred to 1 metre.
- (4) Measured in half space at 2 metres using band limited pink noise, then referred to 1 metre.
- (5) Measured on-axis in open (4 π) space at 2 metres, then referred to 1 metre.
- (6) Measured in open (4 π) space at 2 metres with 1 watt input, using band limited pink noise, then referred to 1 metre.
- (7) Measured in open (4 π) space at 2 metres using band limited pink noise, then referred to 1 metre.

Trade Descriptions Act

Due to Martin Audio's policy of continuing improvement, we reserve the right to alter these specifications without prior notice. Martin Audio is committed to refining state of the art sound reinforcement, combining in-depth product and field applications research with advanced manufacturing techniques. Every Martin Audio product is built to the highest manufacturing standards and rigorously tested to ensure that it meets the performance criteria specified in the design.

architectural and engineering specifications

The loudspeaker system shall be of the two-way passive type consisting of one 8" (200mm)/2" (50mm) voice coil direct radiating reflex loaded low frequency transducer and one 1" (25mm) exit HF compression driver mounted on a user rotatable constant directivity horn in a multi-angled enclosure. The enclosure shall be of a multi-laminate birch ply construction with integral pole mount and threaded inserts for wall and ceiling mounting. Low and high frequency sections shall be integrated by an internal 2.5kHz passive crossover network.

Performance of the loudspeaker system with its electronic controller shall meet or exceed the following criteria:

Frequency response measured 1 metre on axis shall be 70Hz-20kHz \pm 3dB.

High frequency dispersion at -6dB points shall be 90°H x 50°V.

Power handling shall be 150W AES, 600W peak.

Rated impedance shall be 8 ohms.

Maximum SPL measured at 1 metre on axis shall be 113dB continuous, 119dB peak.

Dimensions (W) 299mm x (H) 435mm x (D) 269mm (11.8ins x 17.1ins x 10.6ins).

Weight 12kg (26lbs).

The loudspeaker system shall be the Martin Audio F8⁺.

Century Point, Halifax Road, Cressex Business Park,
High Wycombe, Buckinghamshire HP12 3SL, England.
Telephone: +44 (0)1494 535312 Facsimile: +44 (0)1494 438669
E-mail: info@martin-audio.com
All information is Copyright © 2008 Martin Audio Ltd.

