



# SVT-410HE

4x10  
Bass Cabinet



Please read this user's guide prior  
to using your new enclosure.



**Ampeg**

**SVT410HE 4x10 Bass Enclosure**

---

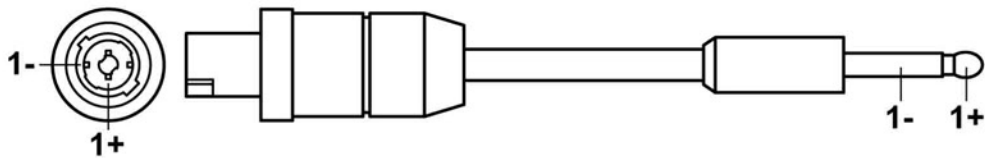
Your Ampeg SVT-410HE 4x10 Bass Cabinet is a high quality two-way speaker enclosure suitable for all venue sizes.

The cabinet features heavy duty recessed handles, and removeable casters.

The Speakon® and 1/4" jacks are wired in parallel, allowing easy daisy chaining from one speaker to another. Each of the jacks may be used as an input or a through connection.

Speakon® connectors are recognized as the standard for professional installations, assuring a secure, permanent connection that won't corrode, vibrate loose or be easily tampered with. The 1/4" jacks are convenient. However, the Speakon® jacks are recommended when using power amplifiers over 150 watts, for permanent installations, or for the first enclosure among a number of daisy chained enclosures.

**Speakon® to 1/4" Wiring Diagram:**





**Ampeg**

**SVT410HE** 4x10 Bass Enclosure

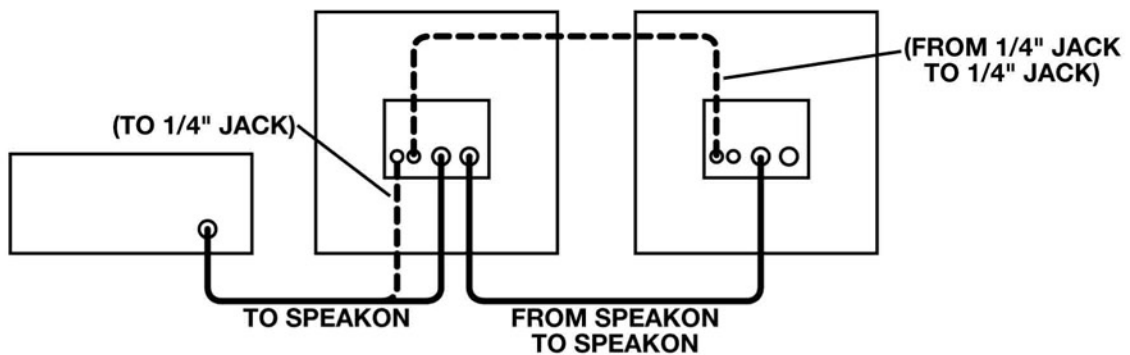


1: 1/4" Input / Output Jacks

2: Speakon® Input / Output Jacks

3: High Frequency Horn Level Control

### Suggested Hookup Diagrams:



# AMPEG SVT410HE

## 4X10 Bass Cabinet

### TECHNICAL SPECIFICATIONS:

TYPE	4x10" Bass Enclosure
FREQ RESPONSE (+/-3dB)	60Hz - 18kHz
USABLE LOW FREQ (-10dB)	43Hz
POWER HANDLING	500W RMS, 1000W Peak
IMPEDANCE	8 Ohms
SENSITIVITY	98dB SPL 1w/1m
MAXIMUM SPL	122dB
CROSSOVER FREQUENCY	4000 Hz
COMPONENTS	Four 100W, 30 oz. magnet, low frequency drivers; one 1" high frequency horn
DIMENSIONS (H x W x D)	25" x 24" x 16"
WEIGHT	91 lbs.

Speakon® is a registered TM of Neutrik AG

**CAUTION:** THIS SPEAKER IS CAPABLE OF PRODUCING HIGH SOUND PRESSURE LEVELS. CONTINUED EXPOSURE TO HIGH SOUND PRESSURE LEVELS CAN CAUSE PERMANENT HEARING IMPAIRMENT OR LOSS. USER CAUTION IS ADVISED, AND EAR PROTECTION RECOMMENDED IF UNIT IS OPERATED AT HIGH VOLUME.

Ampeg continually develops new products, as well as improves existing ones. For this reason, the specifications and information in this manual are subject to change without notice.

*Ampeg – The Power of Bass*



[www.ampeg.com](http://www.ampeg.com)